

SUBMITTAL/TECHNICAL DATA SHEET



DESCRIPTIONS

The DSC-214M is a distinctly superior door for new installations or for remodeling. The exposed flange adds rigidity to the unit and perfectly conceals the rough wall opening. Flexible anchor straps can be provided for installation within masonry opening.

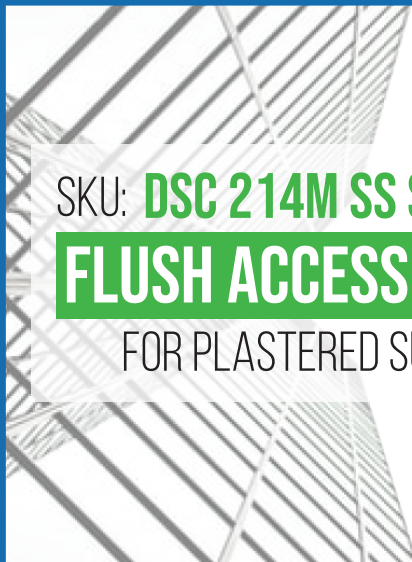
SPECIFICATION

CONSTRUCTION:

- Frame shall be 16 gauge steel and door shall be 14 gauge steel.
- Flange of frame shall be one-piece construction, 1.00" wide.
- Door and trim shall have radius corners.
- Hinge shall be pin type, spring loaded malting door removable.
- Locks shall be flush and screwdriver operated with steel can and studs, or shall be key operated cylinder lock with automatic dust shutter.
- Masonry anchor straps can be included on frames if specified.
- Finish shall be prime coat of rust inhibitive electrostatic powder, baked white enamel. Stainless steel shall have No. 4 satin polish finish.

* When hinge side is greater than 48", door shall have a continuous piano hinge for rigidity.

For a complete list of options visit www.AccessDoorsAndPanels.com



SKU: **DSC 214M SS S**

FLUSH ACCESS DOOR

FOR PLASTERED SURFACES



DIMENSIONS AND APPEARANCE

>> CLICK TO VIEW ADDITIONAL DETAILS AND PRICING <<

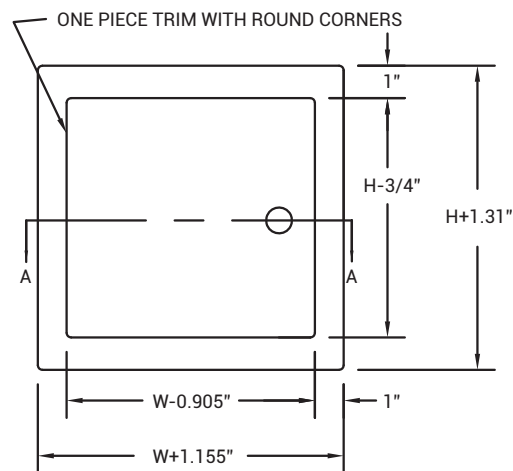
STANDARD SIZES:

DOOR SIZE W x H (IN.)	WALL/CEILING OPENING (IN.)	# OF LATCHES		SHIP WT. (LBS.)
		CRS	SS	
6 x 6	6 3/8 x 6 3/8	1		2.1
8 x 8*	8 3/8 x 8 3/8	1		3.1
10 x 10*	10 3/8 x 10 3/8	1		4.3
8 x 12	8 3/8 x 12 3/8	1		4.6
12 x 12*	12 3/8 x 12 3/8	1		6.3
14 x 14	14 3/8 x 14 3/8	2		8.1
12 x 16	12 3/8 x 16 3/8	2		7.8
16 x 16	16 3/8 x 16 3/8	2		9.9
12 x 18	12 3/8 x 18 3/8	2		8.9
18 x 18*	18 3/8 x 18 3/8	2	4	12.2
16 x 20	16 3/8 x 20 3/8	2		11.8
22 x 22	22 3/8 x 22 3/8	4		16.3
12 x 24	12 3/8 x 24 3/8	2		10.6
18 x 24	18 3/8 x 24 3/8	2		14.5

* STOCK SIZES AVAILABLE IN S/S

DOOR SIZE W x H (IN.)	WALL/CEILING OPENING (IN.)	# OF LATCHES	SHIP WT. (LBS.)
20 x 24	20 3/8 x 24 3/8	2	16.5
24 x 24*	24 3/8 x 24 3/8	5	18.7
20 x 30*	20 3/8 x 30 3/8	5	20.1
22 x 30	22 3/8 x 30 3/8	5	21.7
24 x 30	24 3/8 x 30 3/8	5	23.6
30 x 30	30 3/8 x 30 3/8	5	27.8
22 x 36	22 3/8 x 36 3/8	5	25.6
24 x 36	24 3/8 x 36 3/8	5	28.2
36 x 36	36 3/8 x 36 3/8	5	36.8
24 x 48	24 3/8 x 48 3/8	6	34.4

* THE WALL OPENING SIZE FOR DOORS LARGER THAT 48 X 36 SHALL BE 1/2" LARGER THAN THE DOOR SIZE.



For detailed specifications see submittal sheet

PROJECT DATA

Custom Sizes Available - Fast!

PROJECT NAME :	QTY	W	H	OPTIONS
ARCHITECT :				
DEALER :				
CONTRACTOR :				
LOCATION :	SPECIAL INSTRUCTIONS :			
DATE :				
TAGGING INSTRUCTIONS :	SUBMITTAL APPROVAL : (signature or stamp)			

Scan  or  Click



To view Pricing and Additional Product Info.

TELEPHONE:
1-888-457-1275
FAX:
1-888-626-2907



PO BOX 66738 #76520,
SAINT LOUIS, MO
63166-6738
USA



WEBSITE:
www.AccessDoorsAndPanels.com
E-MAIL:
info@AccessDoorsAndPanels.com



SUBMITTAL



TELEPHONE:
1-888-457-1275
FAX:
1-888-626-2907



PO BOX 66738 #76520,
SAINT LOUIS, MO
63166-6738
USA



WEBSITE:
www.AccessDoorsAndPanels.com
E-MAIL:
info@AccessDoorsAndPanels.com

DSC 214M SS S

FLUSH ACCESS DOOR FOR PLASTERED SURFACES

